

SPECIFICATIONS

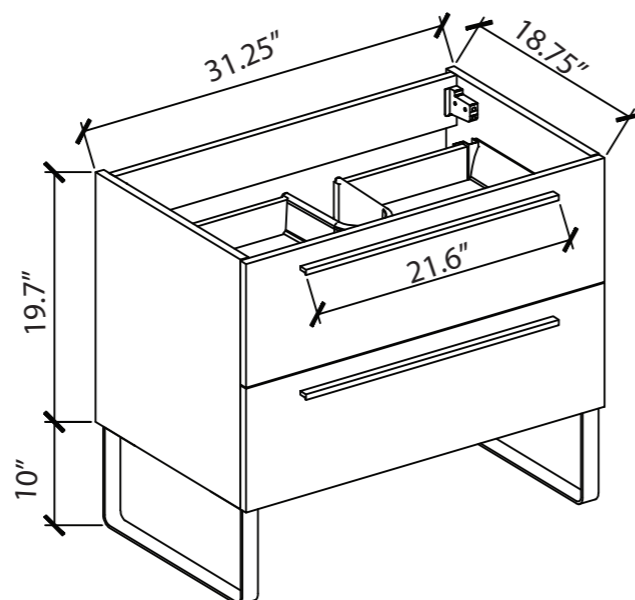
Overall Dimensions	31.25" W x 18.75" D(front to back) x 33.5" H
Counter Dimensions	31.25" W x 18.75" D(front to back) x 3.5" H
Sink Depth	4"
Drain Hole	1-1/2" diameter
Faucet Hole	1-3/8" diameter
Faucet Configurations	Single hole drilling

31.25" TN-TU800

Vanity Cabinet

All measurements are approximate.

Vanity Front



Vanity Side

