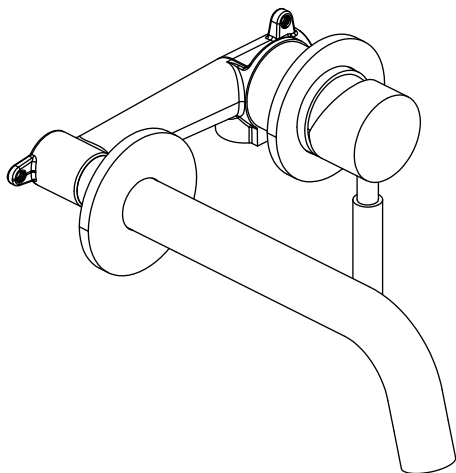


100.1800 | Single Lever Wall Mount Faucet



SPECIFICATIONS:

- Solid Brass construction - includes valve
- Extension Available - 100.1800E**
- 1.2 GPM Flow Rate @ 60 PSI
- Ceramic disc cartridge allows both volume and temperature control
- Spout projection = 7.73"
- Minimum height from counter = 6.00"

STANDARDS:

- ASME A112.18.1 / CSA B125.1, NSF-61



Technical Diagram

