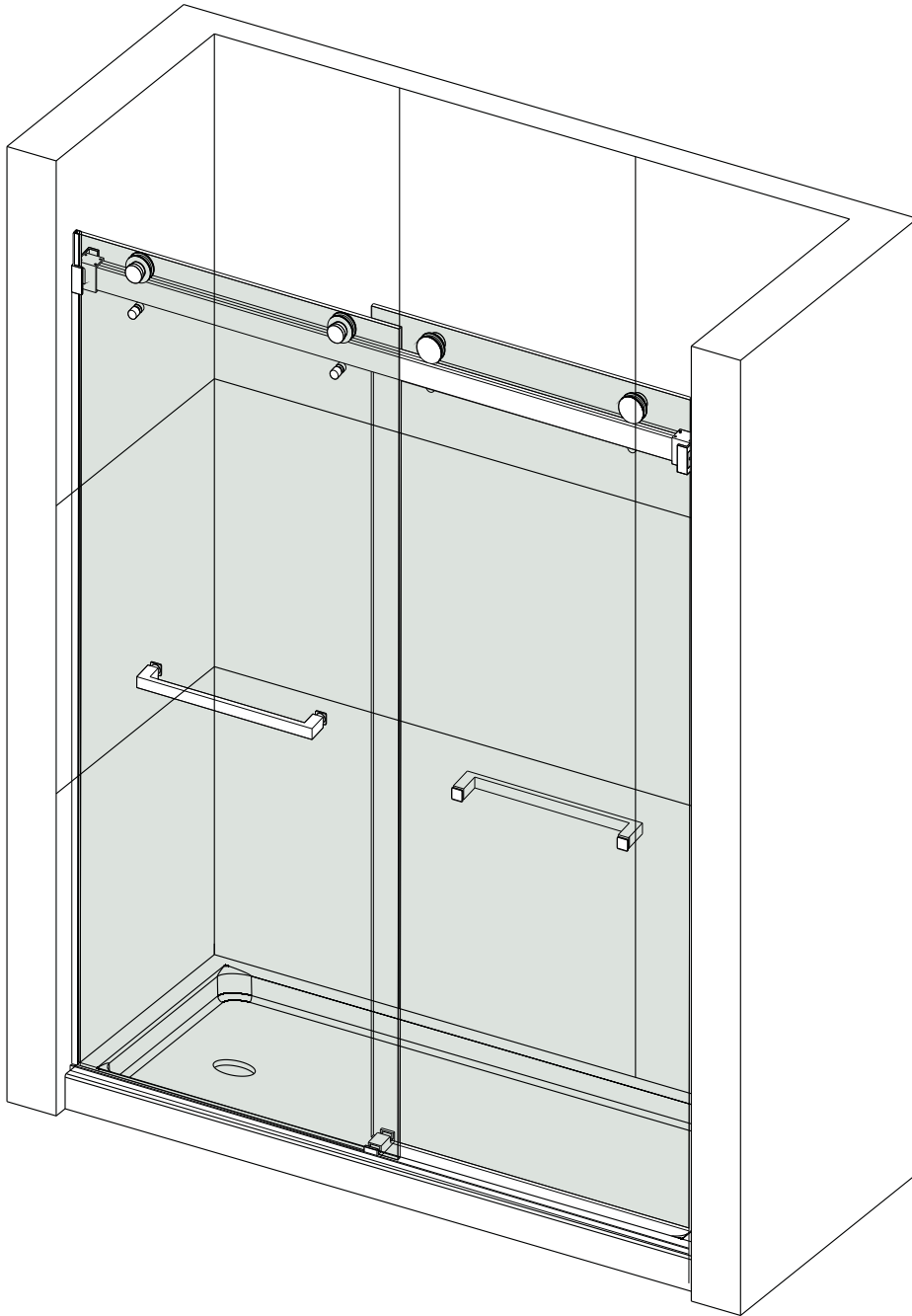


Frameless Glass Door CV-DS01

INSTALLATION GUIDE



2 PEOPLE REQUIRED

***Please keep this manual and product code number for future reference
and for ordering replacement parts if necessary.***

GENERAL INSTRUCTIONS

- Read this manual carefully and completely before proceeding.
- It is recommended that you wear safety glasses at all times during the installation.

INSTALLATION OVER CERAMIC TILES

- If your shower door is to be installed over ceramic tiles, the tiles should lay completely under the wall jamb.
- Silicone should be used to seal the gap where the ceramic tiles meet the fixed panel.

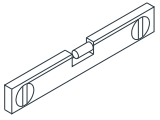
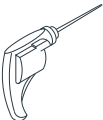
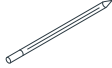

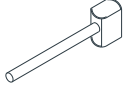

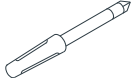

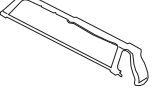

NOTICE

- Caulking: no sealant is required inside the shower, unless otherwise stated.
- Some models are equipped with clear sealing gaskets.

CARE FOR YOUR SHOWER DOOR

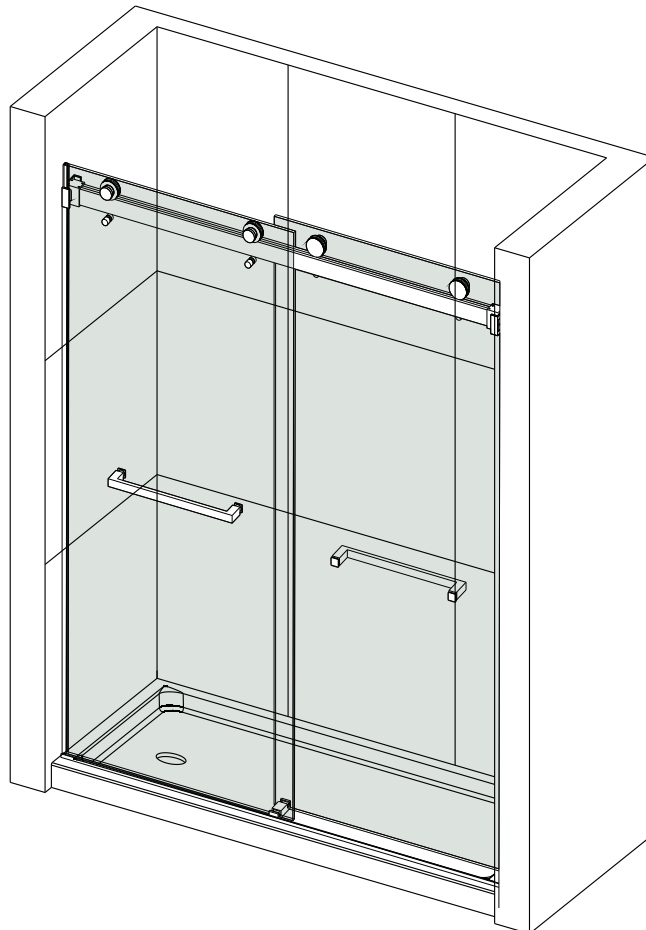
- Never use scouring powder pads or sharp instruments on metal pieces or glass panels.
An occasional wiping down with a mild soap diluted in water is all that is needed to keep the panels and metal parts looking new.
- We recommend wiping the glass panels with a squeegee after each use.

TOOLS REQUIRED

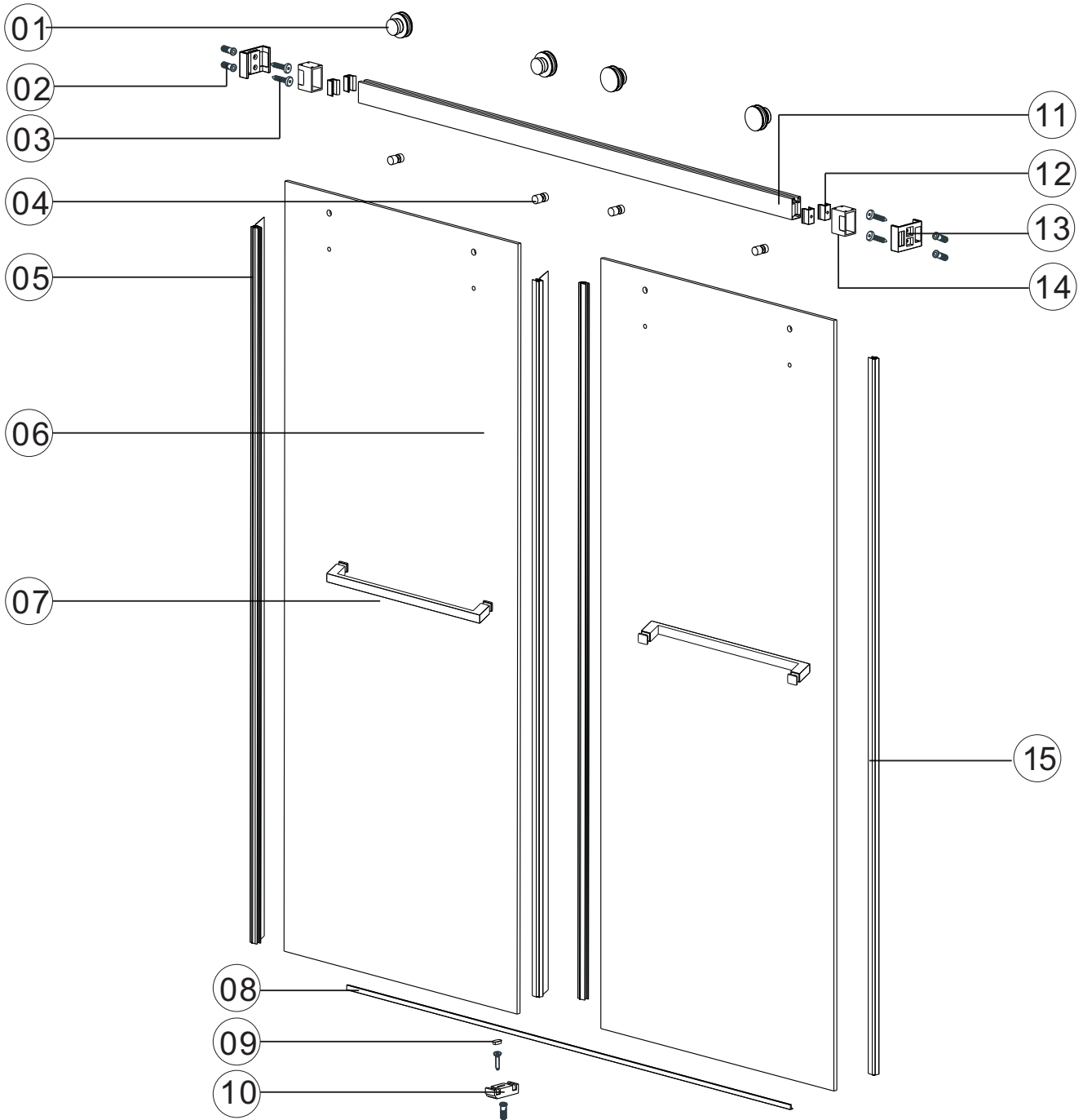
 SPIRIT LEVEL	 POWER DRILL	 PENCIL	 SILICONE	 MALLET
 TAPE MEASURE	 SCREW DRIVER	 6mm&3mm(1/4" & 1/8") DRILL BITS	 HACKSAW	 SAFETY GLASSES










* Use a 6mm(1/4") drill bit for ceramic when drilling into ceramic tiles







CHOOSE A CONFIGURATION



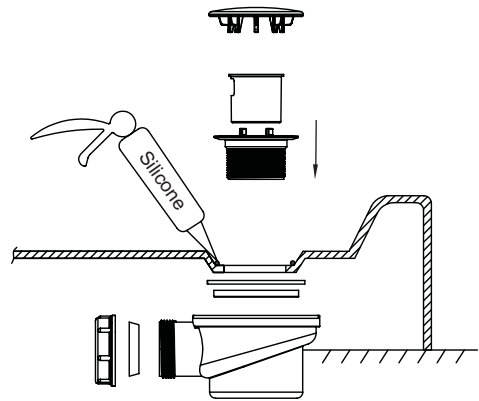
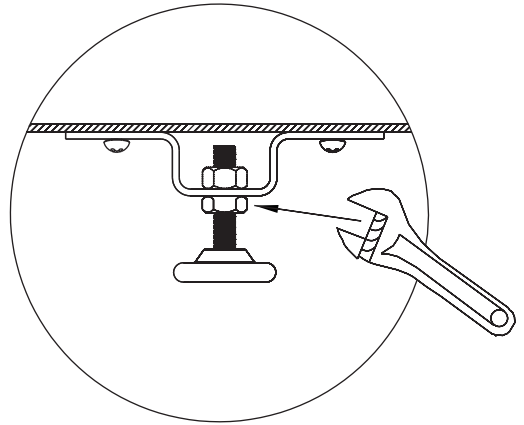
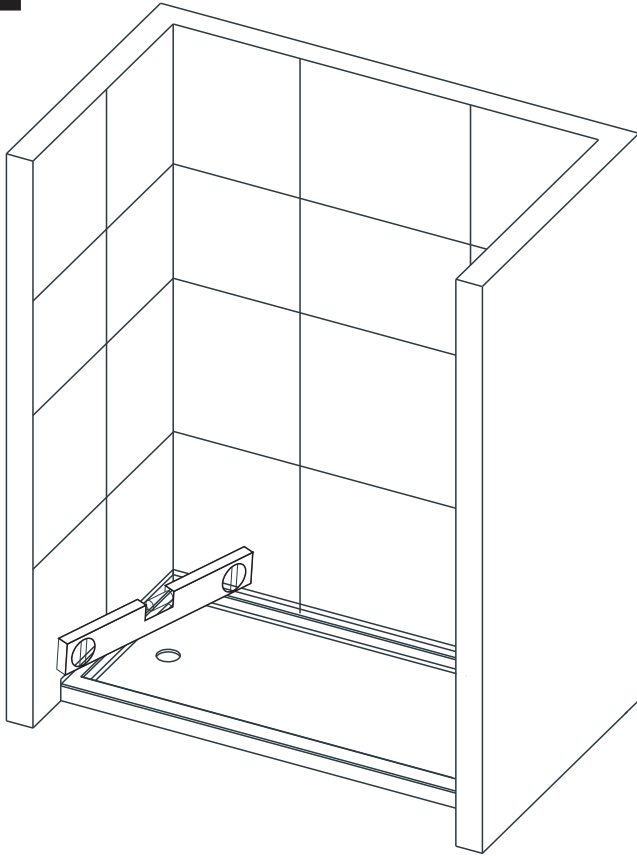
PARTS LISTING



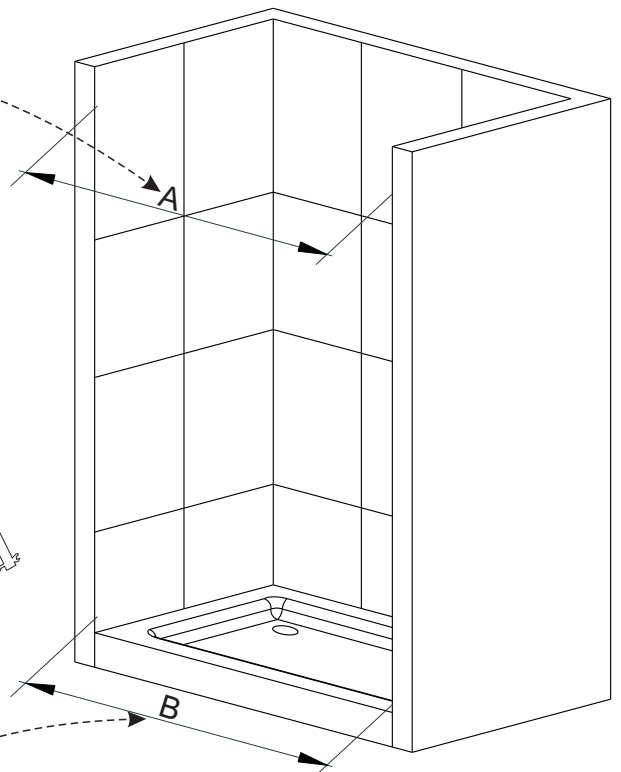
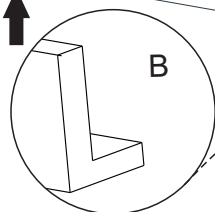
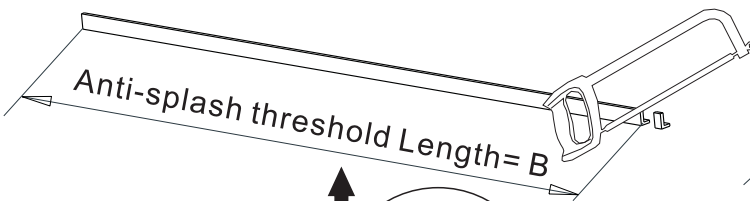
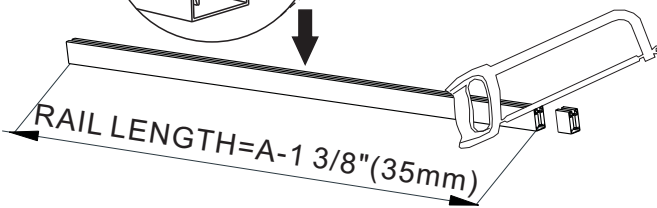
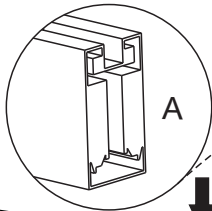
ITEM	PARTS	DIAGRAM	QTY
1	Roller		4
2	Wall plugs Ø6		5
3	Screw St4x30		5
4	Anti jumping knob		4
5	Plastic seal		2
6	Sliding door		2
7	Towel bar		2
8	Anti-splash threshold		1
9	Floor guide cover cap		1

ITEM	PARTS	DIAGRAM	QTY
10	Floor guide		1
11	Rail		1
12	Anti-collision block		4
13	Wall mount bracket		2
14	Guide rail bracket		2
15	Door seal		2

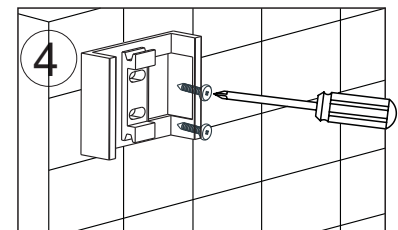
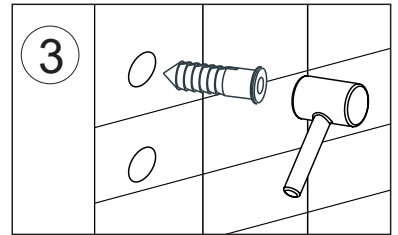
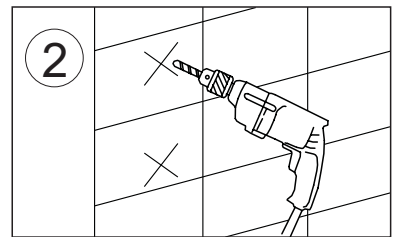
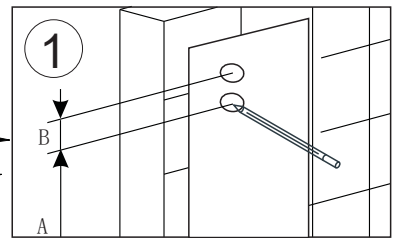
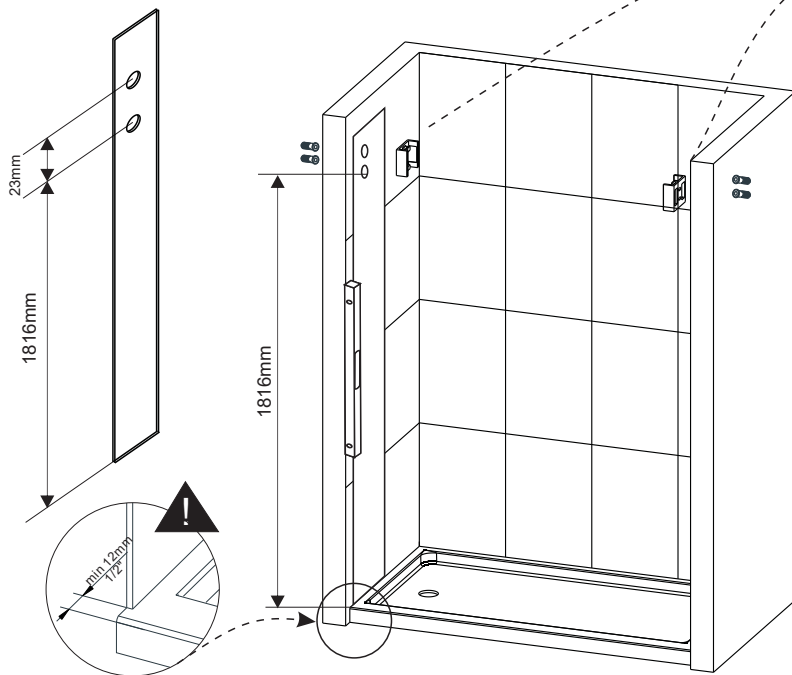
1



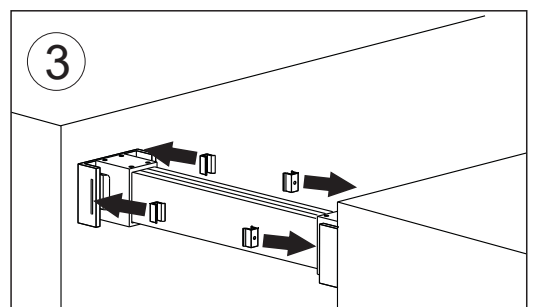
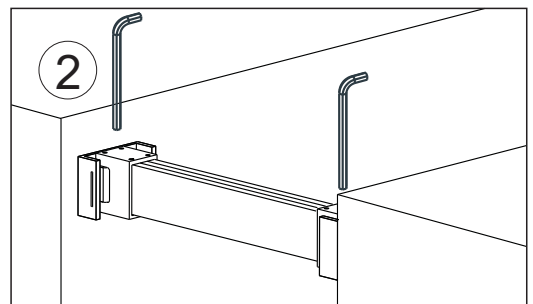
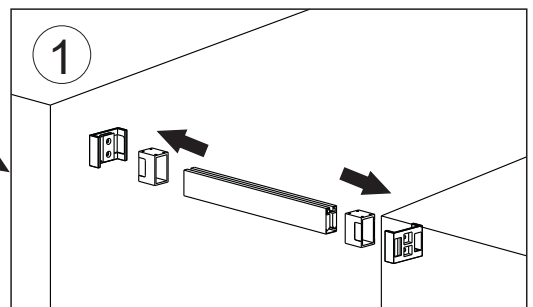
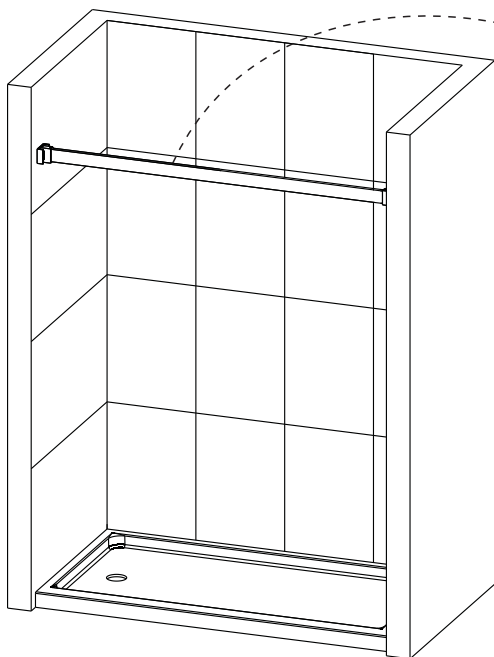
2



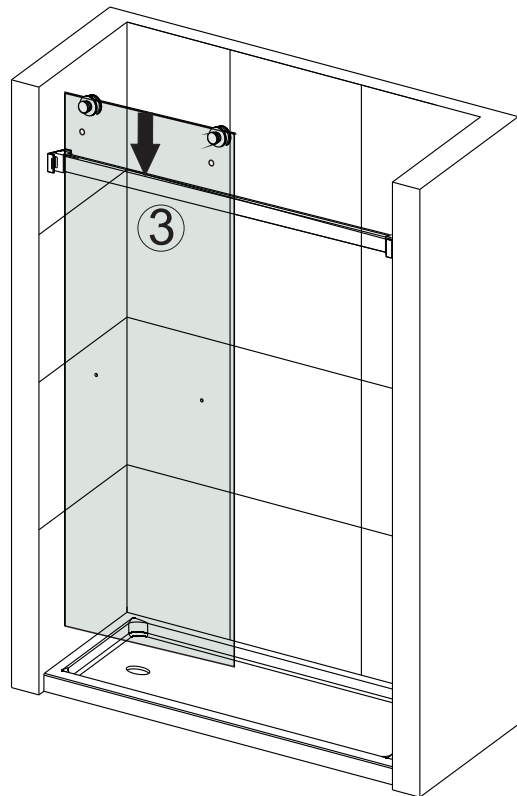
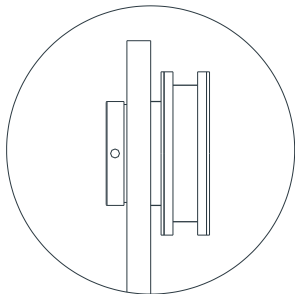
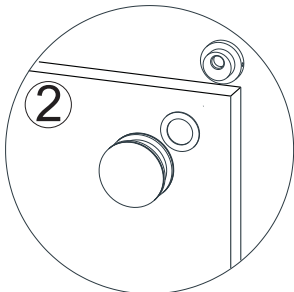
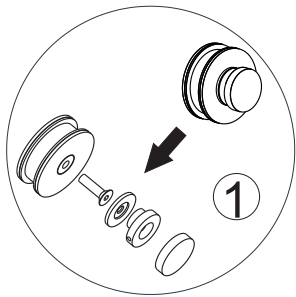
3



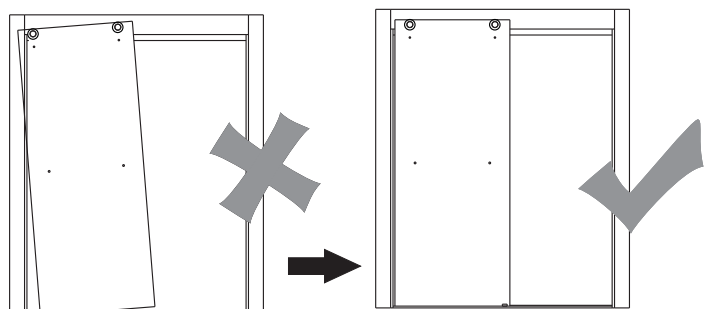
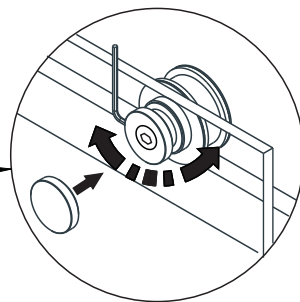
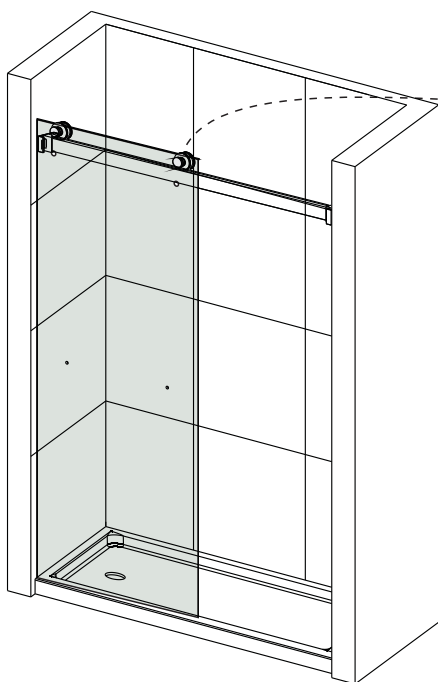
4



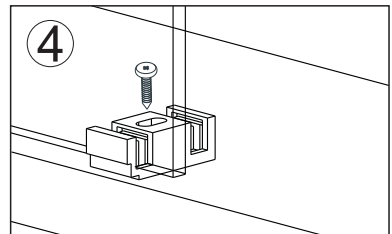
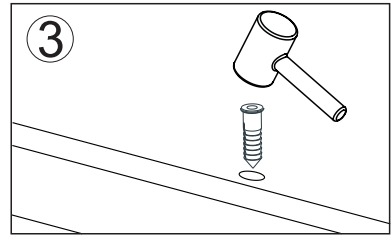
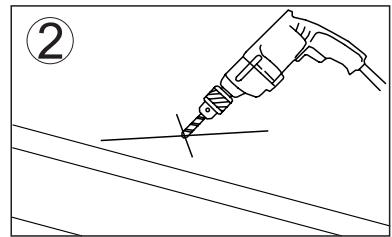
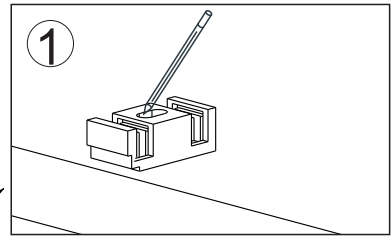
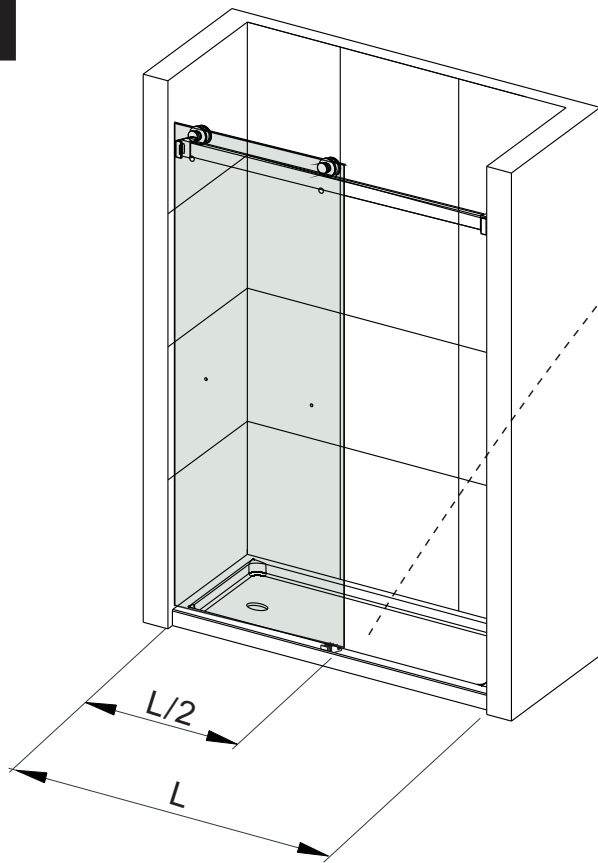
5



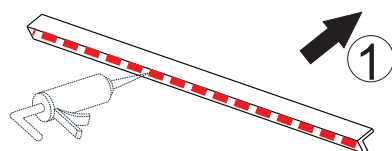
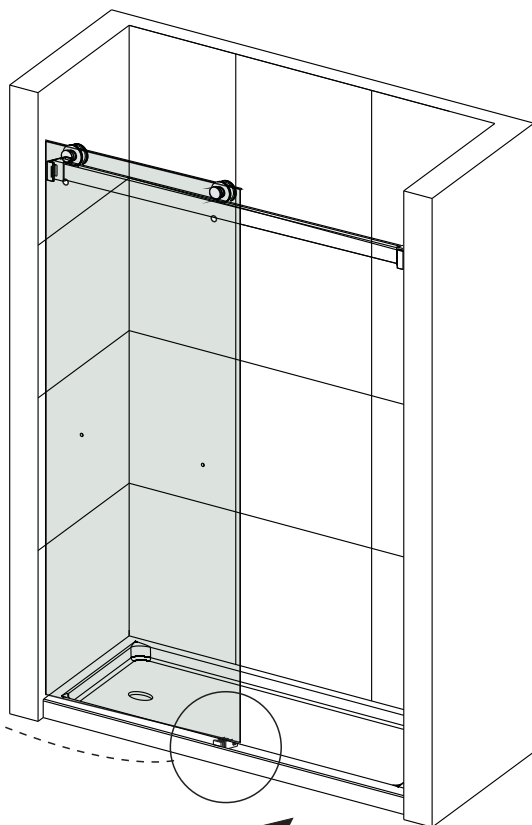
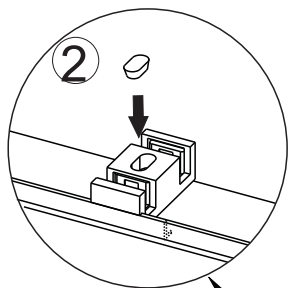
6



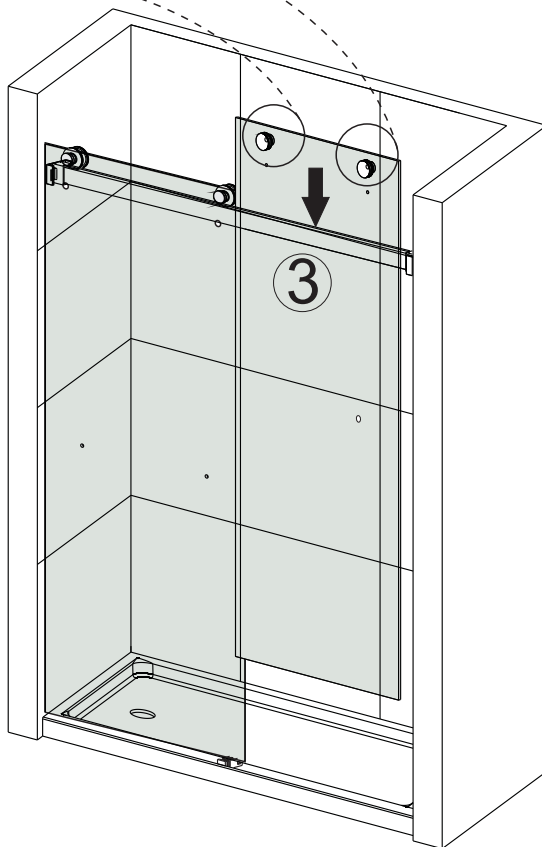
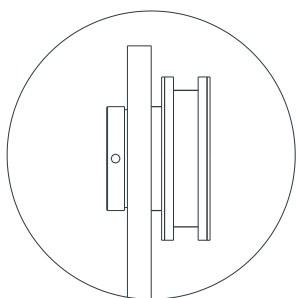
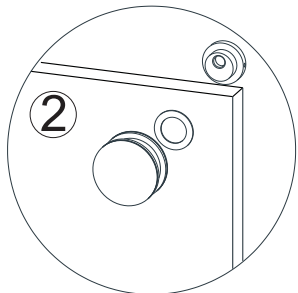
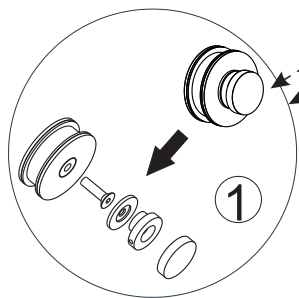
7



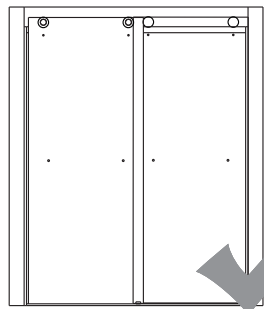
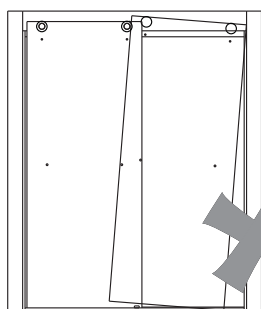
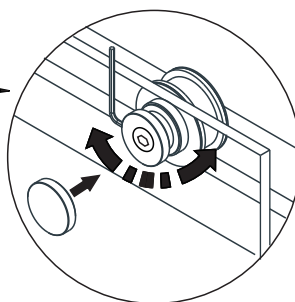
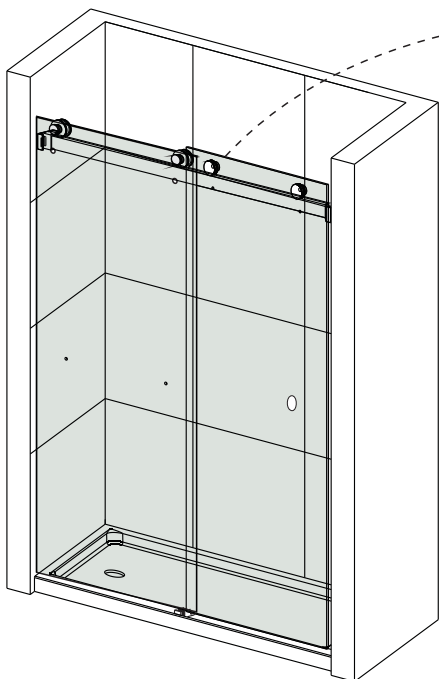
8



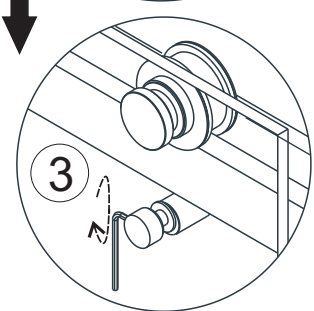
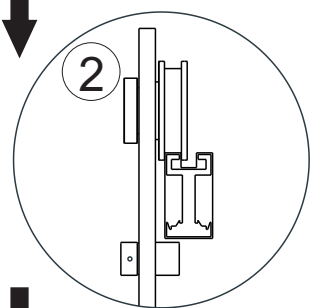
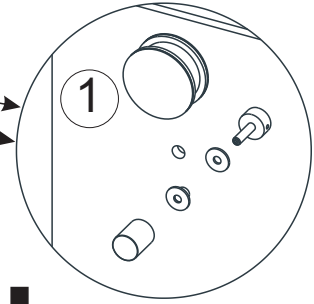
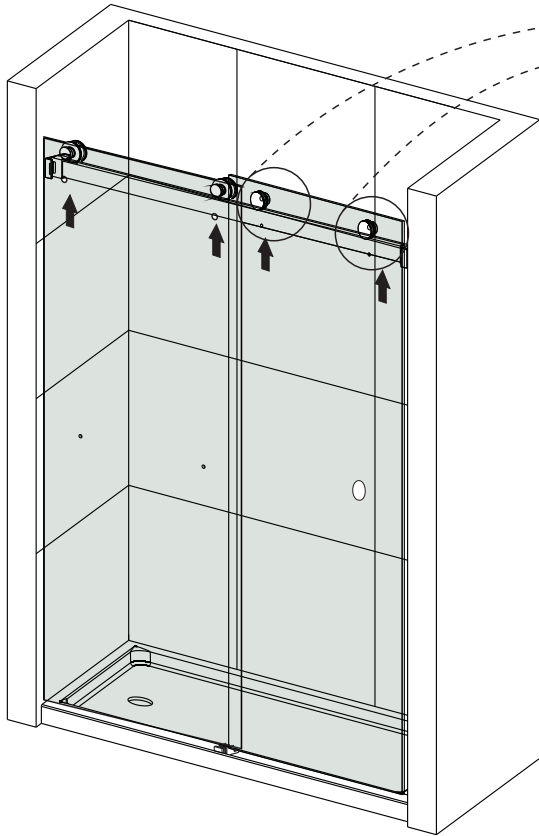
9



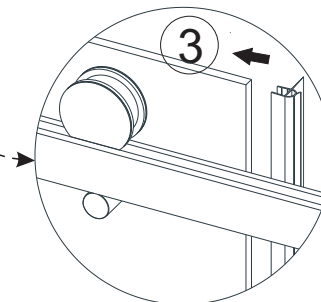
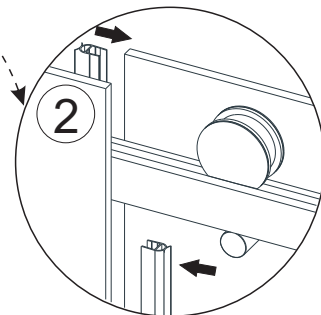
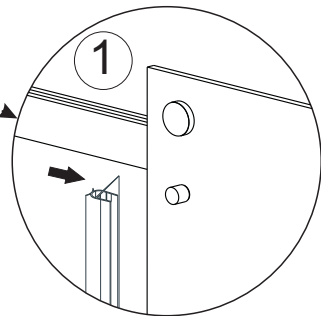
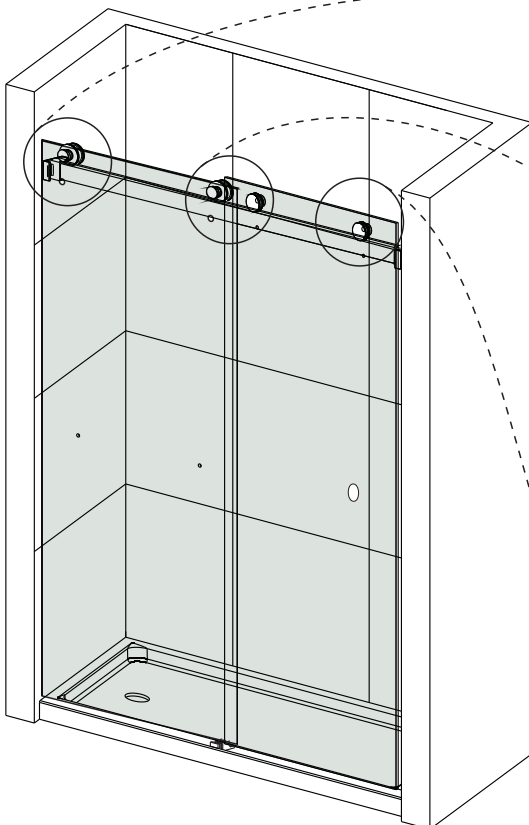
10



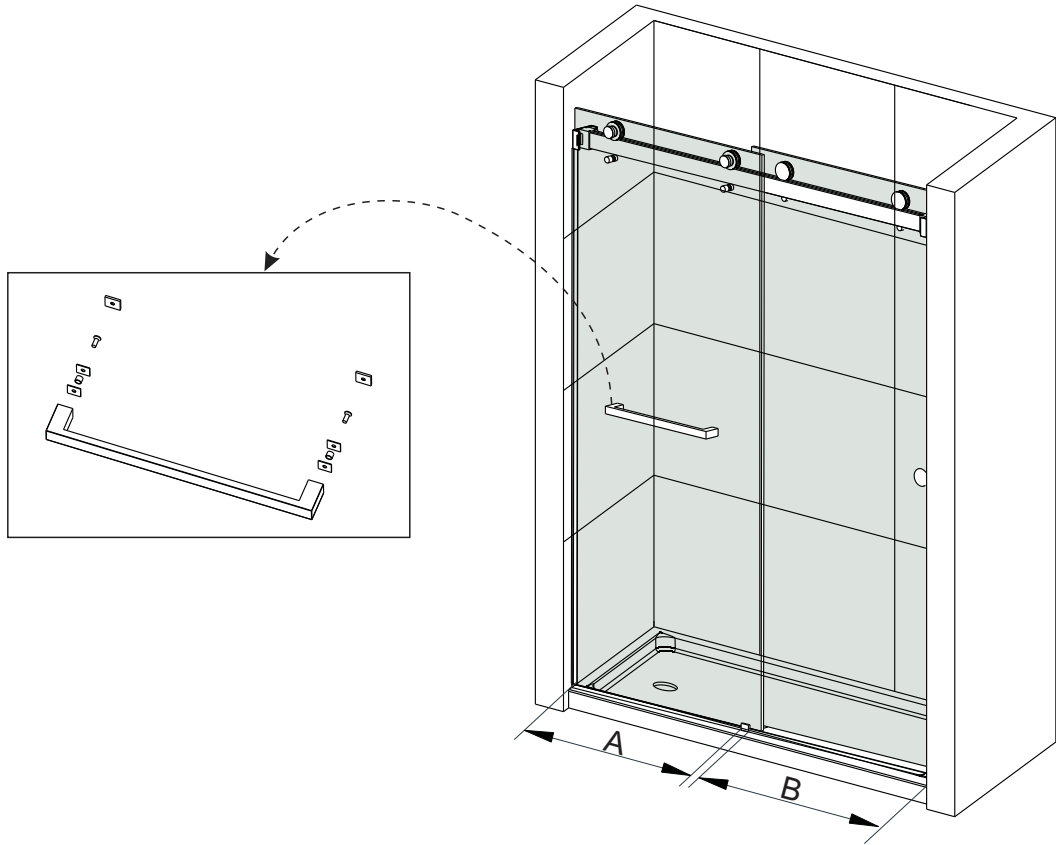
11



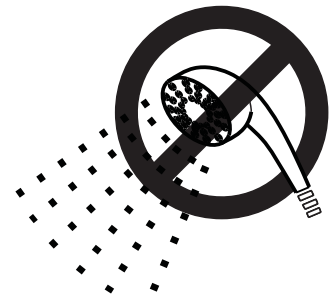
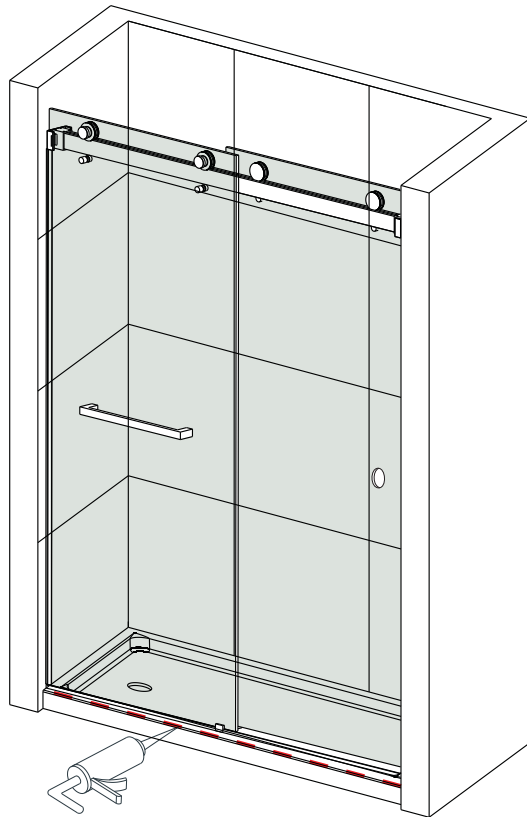
12



13



14



24 HOURS