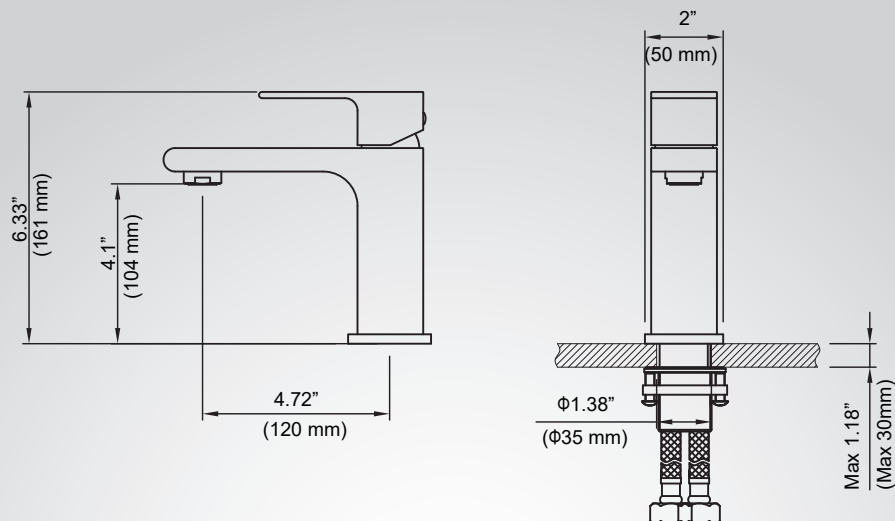


Dimensions



CBI BRAND FAUCETS LIMITED LIFETIME WARRANTY

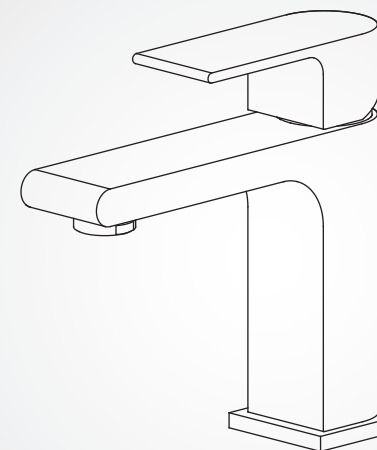
- ? CBI solid brass Faucets are manufactured with most durable ceramic cartridge under the highest standards of quality and workmanship. All CBI Faucets carry a limited lifetime warranty from the original date of purchase.
- ? We recommend our products to be installed and serviced by a licensed professional plumber or contractor to avoid any improper installation. Warranty is automatically void if any product has been tampered, improperly installed, altered or damaged due to misuse or abuse during installation.
- ? If a product fails as a result of a defect in manufacturing during the warranty period, CBI will repair or replace the product or its parts at its sole discretion. Proof of purchase (Original invoice / sales receipt) must be provided to CBI for all warranty claims. The Warranty applies only to faucets installed in the United States of America & Canada. CBI extends its warranty only to the first consumer purchaser.
- ? CBI IS NOT LIABLE FOR ANY INCIDENTAL, CONSEQUENTIAL OR ACCIDENTAL DAMAGES, LABOR CHARGES, TRAVEL TIME, FREIGHT COSTS INCURRED OR CONTINGENT LIABILITIES.
- ? CBI, makes no representation that its products comply with any or all local building or plumbing codes. It is the consumer's responsibility for determining local code compliance.

www.conceptbaths.com



Dear Valued Customer,
Thank you for choosing Concept Bath and Interiors, our success lies in our prompt, professional and personal attention we strive to give. We are committed towards each and every product we sell. We welcome any questions or comments that you may have, please feel free to contact us.

Sincerely, **Concept Baths and Interiors** customer service



Lead Free



CalGreen
NSF/ANSI 61

C

INSTALLATION INSTRUCTIONS

Single Handle lavatory faucet

AV-BF01

Lead Free Solid Brass Faucet
SEDAL Ceramic Cartridge From Spain
Neoperl Aerator From Switzerland
CUPC Stainless Steel Waterlines

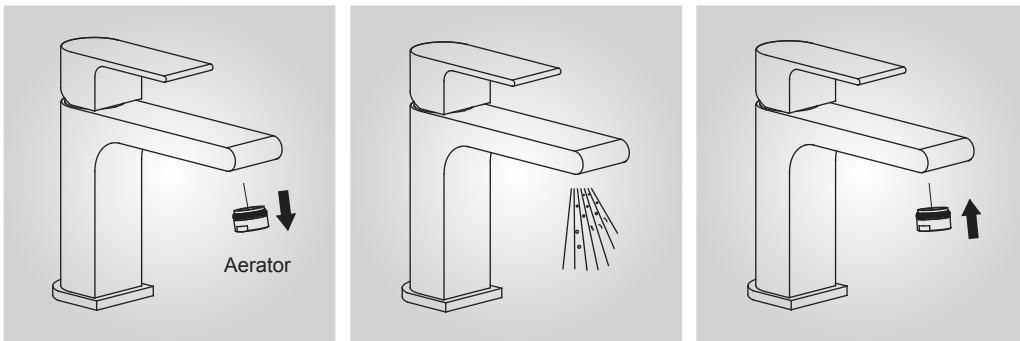
www.conceptbaths.com

Important

- We recommend that this product is installed by a qualified professional plumber / contractor.
- Please check this product immediately to ensure that it has not been damaged and is complete. Before installation, please make sure this product is the correct model and you have all the parts required for installation and using.
- Please flush the water system to ensure that no metal swarf, solder, and other impurities can enter the taps.
- Turn off water supply before commencing work, this should be done at the isolating valves of inlet feeds if fitted or main stopcock.
- Please read these instructions carefully and keep it for future reference.

Cleaning

- Before use: Unscrew the Aerator and allow the water to run freely for 5 minutes. Then screw the filter back in place.
- Periodically: Unscrew the Aerator and remove. Rinse it with running water until any loose debris is cleared. Then replace the Aerator and tighten.

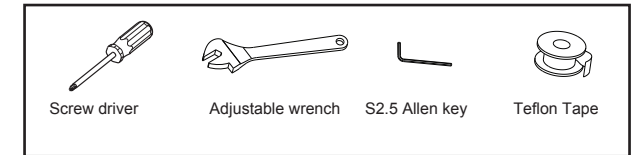


Maintenance

We do NOT recommend to use any household cleaners to clean the product. The product should be cleaned only with soapy water and rinsed with clean water and dried with a soft cloth.

Faucet Installation Procedure

Recommend Tools



Shut off main water supply before installation

1. Screw the flexible hoses into the mixer body, and fully hand tighten.
2. Pass the tail of flexible pipes through the hole on the basin from above, and place the mixer in position on the basin, to see if any alteration to the existing supply pipe work is necessary, make any necessary alterations to the pipe work.
3. Tighten the rubber washer, the Metal washer & the female screw from the under-side of the counter.
4. Check that the mixer body is correctly positioned, fully tighten the female screw.
5. Connect the water supply pipes to the tail of flexible hoses with the hot water and cold water.

