

# Ella OV-T2181S

Siphonic One-Piece High-Efficiency Toilet

## FEATURES

- One-piece modern design (full glazed trapway)
- 28" L \* 14-1/2" W \* 29" H
- Siphonic single flushing system (side flush button)
- Water Sense low consumption (1.28 GPF)
- Soft close PP seat cover (easy fixing)
- Easy installation with side holes
- Elongated design (18-1/2")
- ADA height (16-1/2")
- MAP: 1000G
- S-trap: 12" rough-in

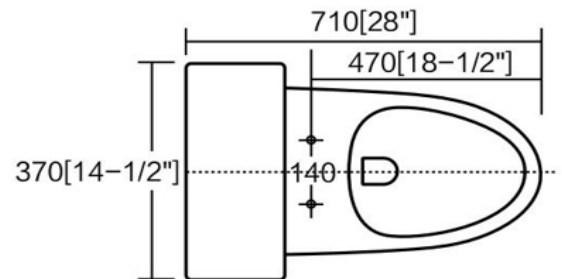
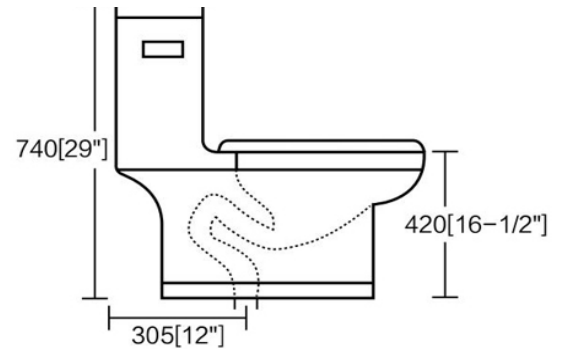


## CODES/STANDARDS

- In compliance with ASME A112.19.2-2013 / CSA B45.1-13
- Certifications: IAPMO (cUPC), Water Sense, ADA

## SPECIFICATIONS

• Water Use	1.28 GPF/4.8LPF
• Flush System	HTD Flush
• Trap Diameter	2-1/8"
• Rough-in	12"
• Warranty	Two Year Limited Warranty
• Material	Vitreous china
• Shipping Weight	105 lbs.



## FLUSH TEST (MAP: 800G)

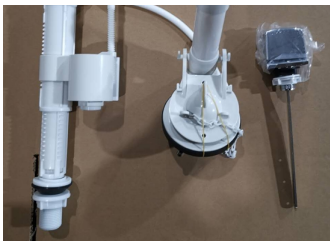


## Tank-Type Toilets

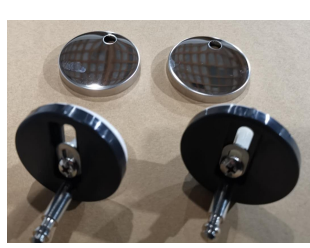
MaP Scoring Guide	
1,000g-600g	Highly Recommended
600g-350g	Recommended
350g-250g	Acceptable
250g-0g	Not Recommended

## FLUSHING SYSTEM (CUPC APPROVAL)

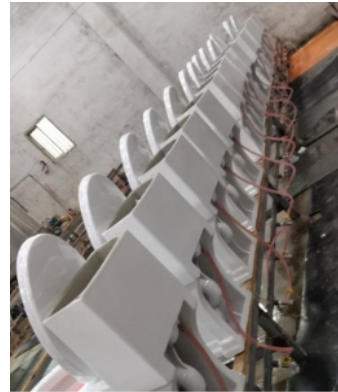




## SOFT CLOSE PP SEAT COVER / SIDE HOLE FITTINGS



## WATER TESTING (24 HOURS)



## INSPECTION (WATER LEAK)

