

SPECIFICATIONS

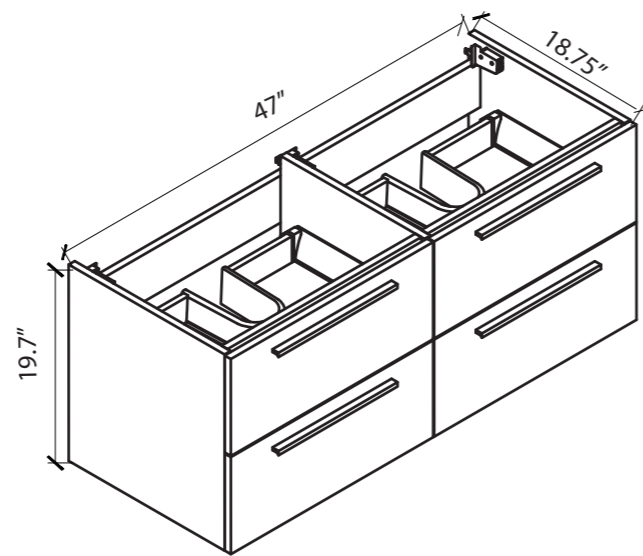
Overall Dimensions	47.2" W x 18.9" D(front to back) x 21.6" H
Counter Dimensions	47.2" W x 18.9" D(front to back) x 2" H
Water Depth	4-1/4" to overflow
Drain Hole	1-1/2" diameter
Faucet Hole	1-3/8" diameter
Faucet Configurations	Single hole drilling

47.2" TN-T1200D

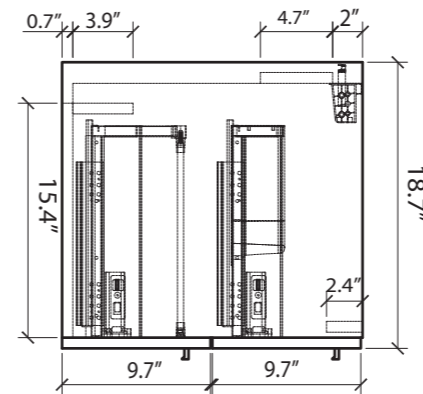
Wall Hung Vanity Cabinet

All measurements are approximate.

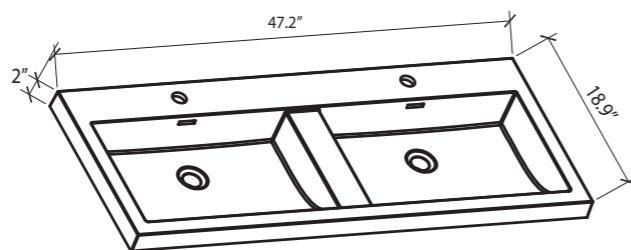
Vanity Front



Vanity Side



Counter Top



Vanity Back

