

SPECIFICATIONS

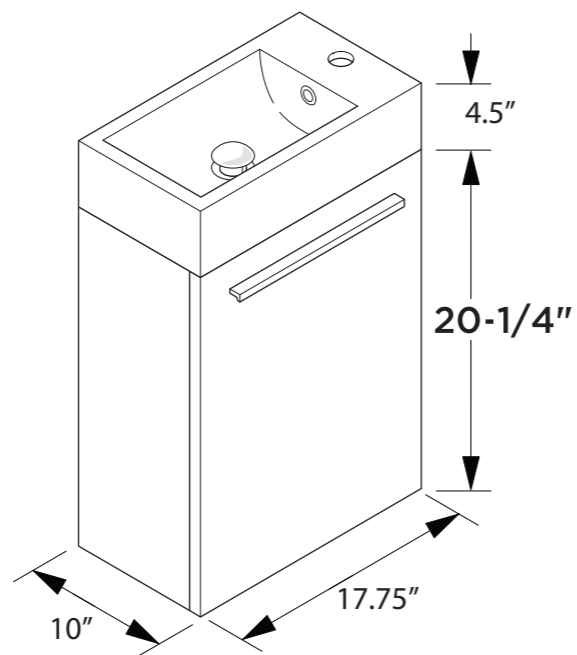
Overall Dimensions	17.75" W x 10" D(front to back) x 24.75" H
Counter Dimensions	17.75" W x 10" D(front to back) x 4.5" H
Sink Dimensions	12.25" W x 8.5" D x 3.75" H
Drain Hole	1-1/2" diameter
Faucet Hole	1-3/8" diameter
Faucet Configurations	Single hole drilling

All measurements are approximate.

18" TN-T460

Wall Hung Vanity Cabinet

Vanity Front



Vanity Back

