

SPECIFICATIONS

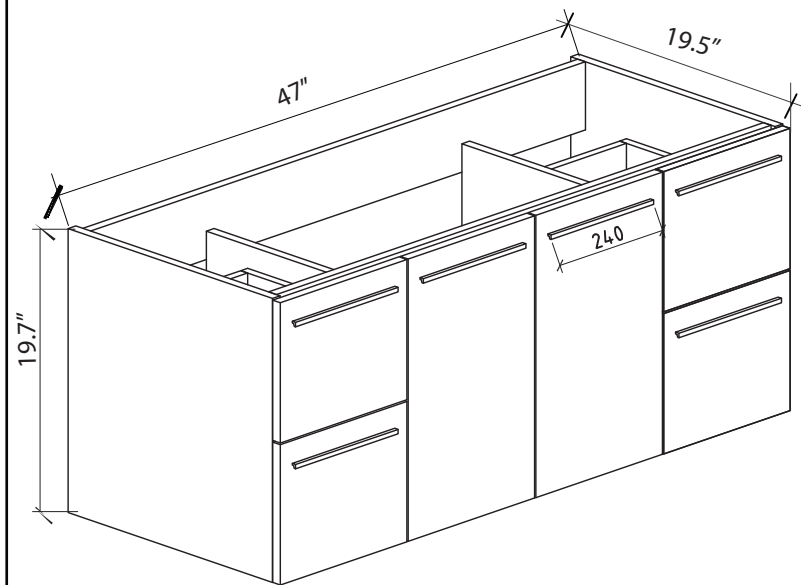
Overall Dimensions	47.25" W x 19.5" D(front to back) x 23.7" H
Counter Dimensions	47.25" W x 19.5" D(front to back) x 4" H
Water Depth	4-1/4" to overflow
Drain Hole	1-1/2" diameter
Faucet Hole	1-3/8" diameter
Faucet Configurations	Single hole drilling

All measurements are approximate.

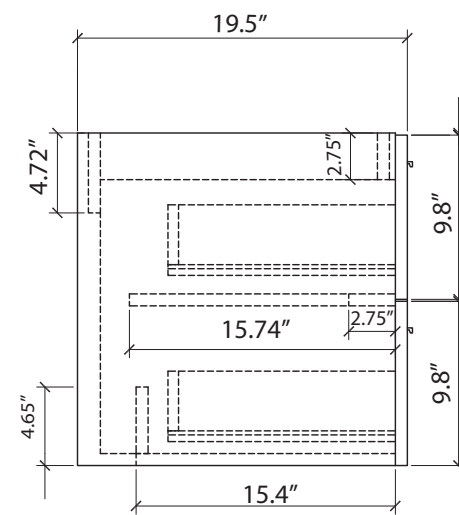
47" TN-TA1200

Wall Hung Vanity Cabinet

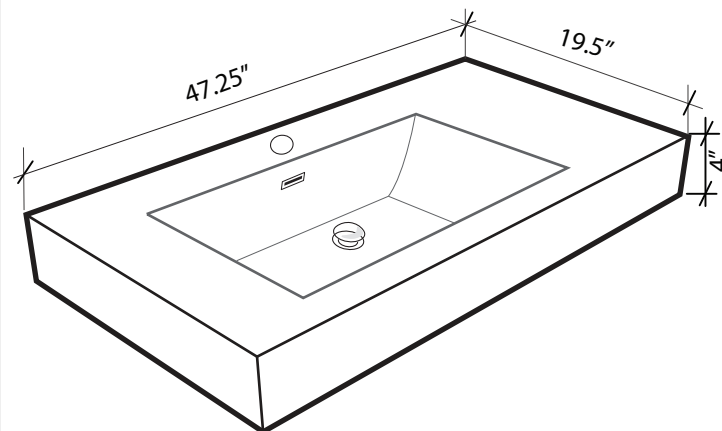
Vanity Front



Vanity Side



Counter Top



Vanity Back

