

## SPECIFICATIONS

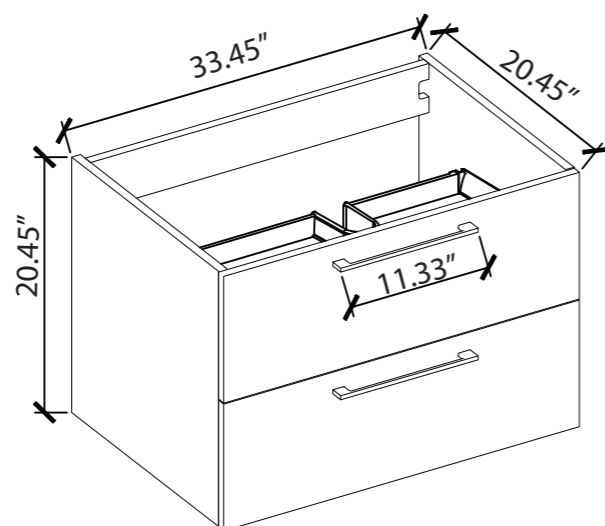
<b>Overall Dimensions</b>	33.6" W x 20.5" D(front to back) x 21.95" H
<b>Counter Dimensions</b>	33.6" W x 20.5" D(front to back) x 1.5" H
<b>Sink Dimensions</b>	21.5" W x 12.75" D(front to back) x 5" H
<b>Drain Hole</b>	1-1/2" diameter
<b>Faucet Hole</b>	1-3/8" diameter
<b>Faucet Configurations</b>	Single hole drilling

# 33.6" TN-TA860

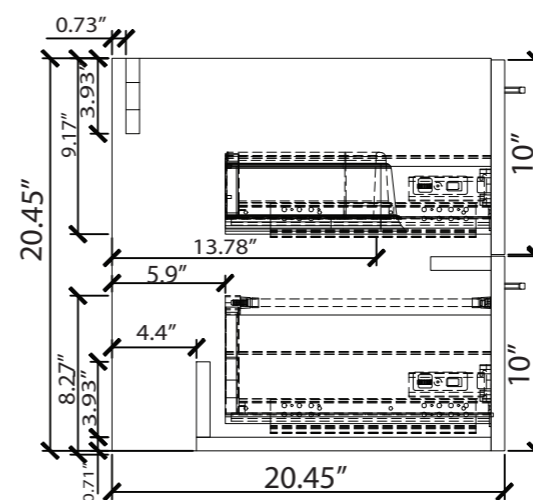
Wall Hung Vanity Cabinet

*All measurements are approximate.*

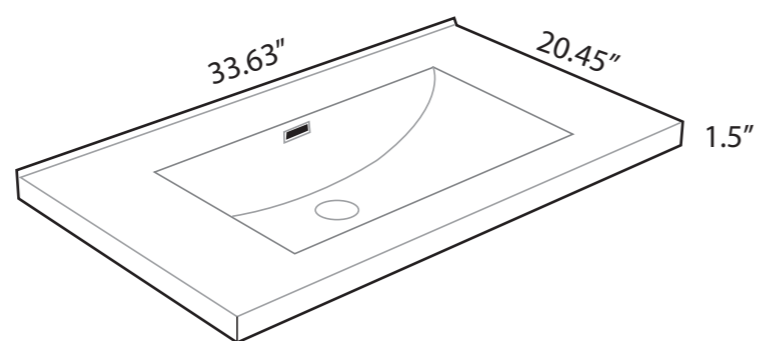
Vanity Front



Vanity Side



Top



Vanity Back

